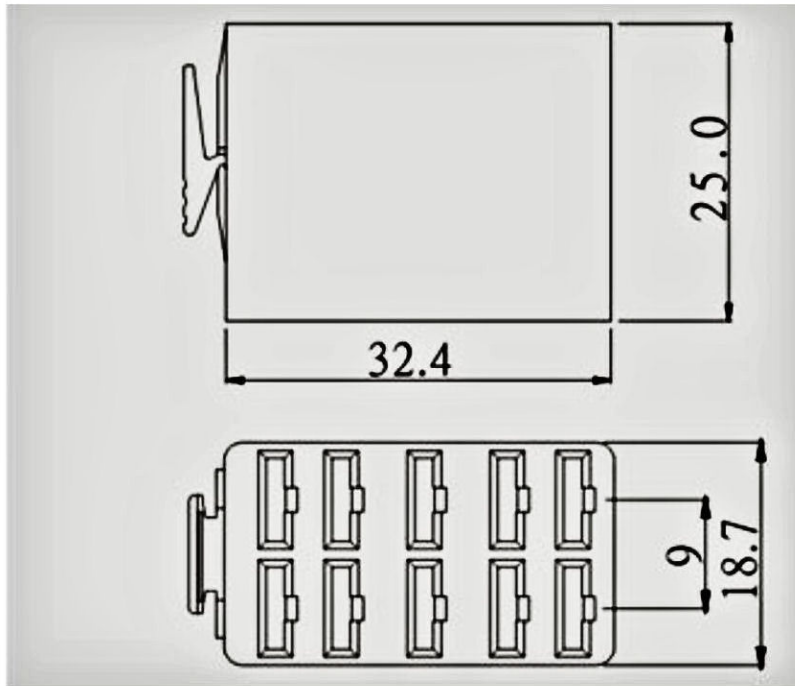


THIS INFORMATION IS CONFIDENTIAL AND PROPRIETARY TO CW INDUSTRIES INCORPORATED AND ITS AFFILIATES. IT MAY NOT BE DISCLOSED TO ANYONE, OTHER THAN CW INDUSTRIES PERSONNEL, WITHOUT WRITTEN AUTHORIZATION FROM CW INDUSTRIES INCORPORATED, SOUTHAMPTON, PENNSYLVANIA USA.



**MATERIAL:** Frames are nylon (UL Flame: 94V-2).

**WIRE:** 14 AWG max.

**TERMINATION:** Fits .250" Sq. Terminal.

**NOTE:**

For use with CW GRB292 Series Switch.

(Reference Only)

RoHS Compliant

**CW INDUSTRIES**  
Southampton, Pa. 18966  
Tel 215.355.7080/www.cwind.com

Date Drawn: 3/25/11

Rev. 0

Unit: mm

Checked  
By:

Title:  
TERMINAL CONNECTOR

CW P/N:

GR464